

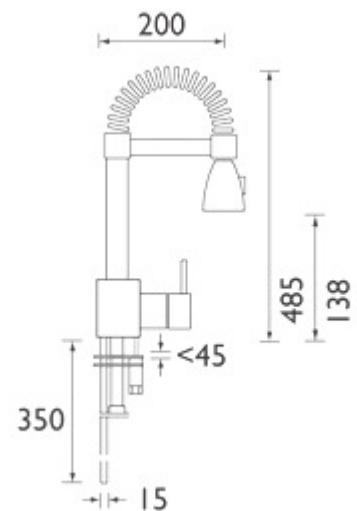
## TECHNICAL DATASHEET

### TARGET

TARGET MONOBLOC SINK MIXER WITH PULL OUT SPRAY  
CHROME

### Product Specification

<b>Product Code:</b>	TG SNK C
<b>Finishes:</b>	Chrome
<b>Product Type:</b>	Contemporary
<b>Construction:</b>	Bodies are of all brass construction and are designed to conform to BS EN 200
<b>Cartridge/Valve Type:</b>	35mm ceramic disc cartridge
<b>Supply:</b>	Suitable for all plumbing systems, ideally balanced
<b>Inlet Connections:</b>	G ½" female ended flexible tail pipes
<b>Water Pressure:</b>	Min. 1.0 bar, Max. 8.0 bar



### Additional Information

- Chrome plated to BS EN 248
- Supplied with two double check valves
- Supplied with an aerator type flow straightener
- Compatible with the following flow limiters :  
(which fit in end of spout)
  - ECO BAS3.5
  - ECO BAS4.5
  - ECO BAS6

**Technical Advice:** For further information please call 0844 7016273 or email [customer care@bristan.com](mailto:customer care@bristan.com).  
**Guarantee:** 5 years covering manufacturing faults.

### Compliance/Approvals

**WRAS:** Pending

Flow Rates through aerator (litres per min.)

System Pressure	1bar	1.5bar	2bar	3bar	4bar	5bar
TG SNK C	6.1	7.9	8.8	10.8	12.5	14.0